

SOUND DEVICES



CL-8

User Guide and Technical Information

Sound Devices, LLC
E7556 State Highway 23 and 33 • Reedsburg, WI • USA • 53959
+1 (608) 524-0625 • fax: +1 (608) 524-0655
Toll-Free: (800) 505-0625
www.sounddevices.com
support@sounddevices.com

Copyright and Release

All rights reserved. No part of this publication may be reproduced, stored in a retrieval system, or transmitted in any form or by any means, electronic, mechanical, photocopying, recording, or otherwise, without the expressed written permission of SOUND DEVICES, LLC. SOUND DEVICES is not responsible for any use of this information.

SOUND DEVICES, LLC shall not be liable to the purchaser of this product or third parties for damages, losses, costs, or expenses incurred by purchaser or third parties as a result of: accident, misuse, or abuse of this product or unauthorized modifications, repairs, or alterations to this product, or failure to strictly comply with SOUND DEVICES, LLC's operating and installation instructions.

Microsoft Windows is a registered trademark of Microsoft Corporation. Macintosh is a registered trademark of Apple, Inc. Other product and company names mentioned herein may be the trademarks of their respective owners.

The sound waves logo is a registered trademark of Sound Devices, LLC.

Limitation of Liability

LIMITATION ON SOUND DEVICES' LIABILITY. SOUND DEVICES, LLC SHALL NOT BE LIABLE TO THE PURCHASER OF THIS PRODUCT OR THIRD PARTIES FOR DAMAGES, LOSSES, COSTS, OR EXPENSES INCURRED BY PURCHASER OR THIRD PARTIES AS A RESULT OF: ACCIDENT, MISUSE, OR ABUSE OF THIS PRODUCT OR UNAUTHORIZED MODIFICATIONS, REPAIRS, OR ALTERATIONS TO THIS PRODUCT, OR FAILURE TO STRICTLY COMPLY WITH SOUND DEVICES, LLC'S OPERATING AND INSTALLATION INSTRUCTIONS. TO THE FULLEST EXTENT PERMITTED BY LAW, SOUND DEVICES SHALL HAVE NO LIABILITY TO THE END USER OR ANY OTHER PERSON FOR COSTS, EXPENSES, DIRECT DAMAGES, INCIDENTAL DAMAGES, PUNITIVE DAMAGES, SPECIAL DAMAGES, CONSEQUENTIAL DAMAGES OR OTHER DAMAGES OF ANY KIND OR NATURE WHATSOEVER ARISING OUT OF OR RELATING TO THE PRODUCTS, THESE TERMS AND CONDITIONS OR THE PARTIES' RELATIONSHIP, INCLUDING, WITHOUT LIMITATION, DAMAGES RESULTING FROM OR RELATED TO THE DELETION OR OTHER LOSS OF AUDIO OR VIDEO RECORDINGS OR DATA, REDUCED OR DIMINISHED AUDIO OR VIDEO QUALITY OR OTHER SIMILAR AUDIO OR VIDEO DEFECTS ARISING FROM, RELATED TO OR OTHERWISE ATTRIBUTABLE TO THE PRODUCTS OR THE END USER'S USE OR OPERATION THEREOF, REGARDLESS OF WHETHER SUCH DAMAGES ARE CLAIMED UNDER CONTRACT, TORT OR ANY OTHER THEORY. "CONSEQUENTIAL DAMAGES" FOR WHICH SOUND DEVICES SHALL NOT BE LIABLE SHALL INCLUDE, WITHOUT LIMITATION, LOST PROFITS, PENALTIES, DELAY DAMAGES, LIQUIDATED DAMAGES AND OTHER DAMAGES AND LIABILITIES WHICH END USER SHALL BE OBLIGATED TO PAY OR WHICH END USER OR ANY OTHER PARTY MAY INCUR RELATED TO OR ARISING OUT OF ITS CONTRACTS WITH ITS CUSTOMERS OR OTHER THIRD PARTIES. NOTWITHSTANDING AND WITHOUT LIMITING THE FOREGOING, IN NO EVENT SHALL SOUND DEVICES BE LIABLE FOR ANY AMOUNT OF DAMAGES IN EXCESS OF AMOUNTS PAID BY THE END USER FOR THE PRODUCTS AS TO WHICH ANY LIABILITY HAS BEEN DETERMINED TO EXIST. SOUND DEVICES AND END USER EXPRESSLY AGREE THAT THE PRICE FOR THE PRODUCTS WAS DETERMINED IN CONSIDERATION OF THE LIMITATION ON LIABILITY AND DAMAGES SET FORTH HEREIN AND SUCH LIMITATION HAS BEEN SPECIFICALLY BARGAINED FOR AND CONSTITUTES AN AGREED ALLOCATION OF RISK WHICH SHALL SURVIVE THE DETERMINATION OF ANY COURT OF COMPETENT JURISDICTION THAT ANY REMEDY HEREIN FAILS OF ITS ESSENTIAL PURPOSE.

Introduction



The CL-8 Controller is an optional control surface for the 788T Digital Recorder that significantly expands its mixing capability and overall usability. Its ergonomic design allows one-handed operation of many of its functions, freeing the Sound Mixer to control other equipment.

Its large rotary style faders provide the Sound Mixer with precise control of gain levels sent to the Master Left/Right mix tracks, which can be recorded. The 788T's Front Panel Input Gain Pots control the level for the Iso tracks and pre-fade aux tracks.

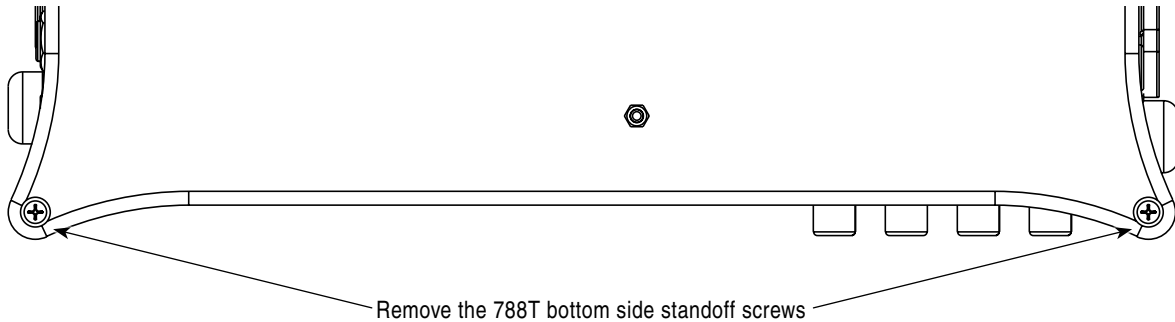
The Sound mixer can quickly make changes to input settings with the CL-8, including input-to-track routing, high-pass filter, limiter, and input polarity. It displays input activity and can Solo any input. The CL-8 has a dedicated button for the 788T's built in Slate Mic. Additionally, the USB Keyboard pass-through port permits keyboards to be attached for metadata entry and remote control.

For details on operation refer to the 788T User Guide and Technical Information located at http://www.sounddevices.com/download/guides/788t_en.pdf.

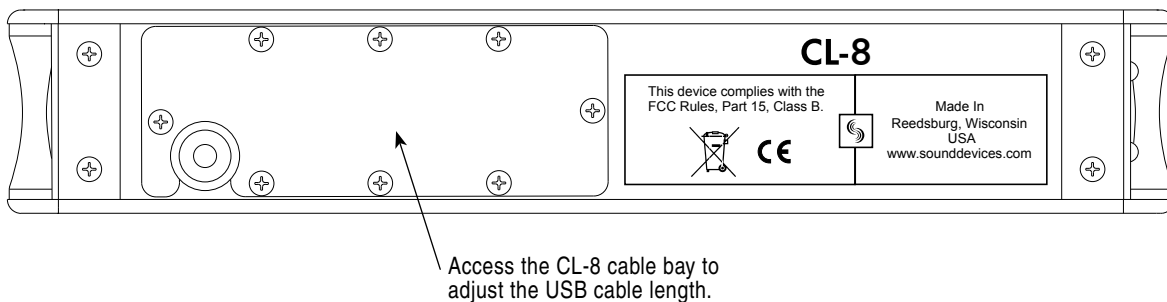
Mounting the CL-8

The CL-8 can mount to the 788T top or bottom panel. The following steps illustrate mounting the CL-8 to the bottom of the 788T.

1. Place the 788T on a flat and sturdy surface with the bottom panel facing up.
2. Remove both of the 788T front-panel-standoff screws with a #1 Phillips screwdriver.



3. Place the CL-8 on a flat and sturdy surface with the top panel facing up.
4. Remove both front panel standoff screws using a #1 Phillips screwdriver.
5. Flip the CL-8 over so that the bottom panel is now facing up.
6. Remove both front panel standoff screws using a #1 Phillips screwdriver.
7. Store the six screws (2 from the 788T and 4 from the CL-8) and the two CL-8 threaded standoffs for future replacement.
8. Place the CL-8 on the 788T with the top panel of the CL-8 resting on the bottom panel of the 788T.
9. Line up the screw holes and insert the provided threadless standoff.
10. Attach the CL-8 to the 788T using the provided 1.17" screws with a #1 Phillips screwdriver. Fasten the screws tightly, taking care to not overtighten.
11. Connect the CL-8 USB A Male connector to the 788T USB A Female Keyboard Input.
12. If more cable length is needed, remove all eight screws securing the CL-8 Cable Bay.



13. Adjust the cable accordingly.
14. Replace the CL-8 Cable Bay and replace all eight screws.

Specifications

Powering	<ul style="list-style-type: none"> Powered by the 788T over USB bus power.
Dimensions	<ul style="list-style-type: none"> 1.75" x 10.2" x 2.25" (H x W x D)
Weight	<ul style="list-style-type: none"> 21.5 oz.
USB Cable	<ul style="list-style-type: none"> 17" USB-A Male (right angled) to USB-B Male cable
Included Accessories	<ul style="list-style-type: none"> Replacement, threadless front panel standoff (count of 2) 1.17" screws (count of 2)

Warranty and Technical Support

Warranty & Service

Sound Devices, LLC strongly encourages you to register your product.

Registering can extend your warranty and ensures you will receive timely updates.

www.sounddevices.com/support/registration

Read your warranty here:

www.sounddevices.com/support/warranty

For all service, including warranty repair, please contact Sound Devices for an RMA (return merchandise authorization) before sending your unit in for repair. Product returned without an RMA number may experience delays in repair. When sending a unit for repair, please do not include accessories, including SSD drives, CF cards, batteries, power supplies, carry cases, cables, or adapters unless instructed by Sound Devices.

Sound Devices, LLC
 Service Repair RMA #XXXXXX
 E7556 State Road 23 and 33
 Reedsburg, WI 53959 USA
 telephone: (608) 524-0625

Technical Support / Bug Reports

For technical support and bug reporting on all Sound Devices products contact:

Sound Devices, LLC
 E-mail: support@sounddevices.com
 web: www.sounddevices.com/support
 Telephone: +1 (608) 524-0625 / Toll-Free in the U.S.A.: (800) 505-0625
 Fax: +1 (608) 524-0655

CE Declaration of Conformity

According to ISO/IEC Guide 22
 Sound Devices, LLC
 E7556 State Highway 23 & 33
 Reedsburg, WI 53959 USA

declares that the product, CL-8 is in conformity with and passes:

89/336/EEC	EMC Directive
EN 55103-1, 1997	EMC-Product Family Standard for Audio, Video, Audio-Visual and Entertainment Lighting Control Apparatus for Professional use. Part 1: Emissions
EN 55103-1, 1997	EMC-Product Family Standard for Audio, Video, Audio-Visual and Entertainment Lighting Control Apparatus for Professional use. Part 2: Immunity
CISPR 22, 2006 (EN 55022, 2006)	Radiated Emissions, Class B
CISPR 22, 2006 (EN 55022, 2006)	Conducted Emissions Class B
IEC 61000-3-2, 2005 EN 61000-3-2, 2001	Harmonic Current Emissions (through Amendment 14 of IEC 61000-4-7)
IEC 61000-3-3, 2005 EN 61000-3-3, 2002	Voltage Fluctuation and Flicker
EN 55103-1 Phenomena 2,3, 1997 EN 55103-1	Magnetic Emissions at 1 Meter 50Hz – 50kHz
IEC 61000-4-2, 2001 EN 61000-4-2, 2001	ESD, ±4kV Contact, ±8kV Air Discharge
IEC 61000-4-3, 2006 EN 61000-4-3, 2005	Radiated RF Immunity, 3V/m, 80% AM @ 1kHz, 1% step of the previous frequency 80-1000 MHz
IEC 61000-4-4, 2004 EN 61000-4-4, 2005	EFT Burst: ±0.5 kV - ±2kV
IEC 61000-4-4, 2004 EN 61000-4-4, 2005	EFT Burst: ±0.5kV to ±1kV
IEC 61000-4-5, 2005 EN 61000-4-5, 2001	Surge ±1kV Differential Mode (line to line) ±2kV Common Mode (line to ground)
IEC 61000-4-5, 2005 EN 61000-4-5, 2001	Surge ± 1kV Common Mode
IEC 61000-4-6, 2006 EN 61000-4-6, 2005	Conducted RF Immunity: 3 V, 80% AM modulation @ 1kHz
IEC 61000-4-6, 2006 EN 61000-4-6, 2005	Conducted RF Immunity: 3 V, 80% AM modulation @ 1kHz
EN 55103-2 Phenomena 3, 1997 EN 55103-2, 1997	Magnetic Immunity 50Hz – 10 KHz
IEC 61000-4-11, 2004 EN 61000-4-11, 2004	Voltage Dips and Short Interruptions at test Voltage level: 70%, 40% and 5% nominal for 10ms, 100ms, 1 sec and 5 sec (50Hz)

Tested by L. S. Compliance, Inc. Cedarburg, Wisconsin
 October 3, 2008



Matthew Anderson
 Director of Engineering
 Sound Devices, LLC

SOUND **DEVICES**