



# MM-1 Microphone Preamp with Headphone Monitor



## Description

The portable MM-1 combines microphone preamplification and headphone monitoring in one compact product. Designed for demanding radio, television, and multimedia productions, the MM-1 is a no-compromise, studio-quality microphone preamplifier with phantom power, high-pass filter, and built-in limiter. Its monitoring function provides a headphone level signal of microphone audio and an external, balanced line-level signal. The MM-1 is at home in the most complex broadcast remotes, theatrical productions, and intercom setups.

The MM-1 is built to Sound Devices high standards of audio and mechanical quality and will provide years of performance under the most punishing field conditions.

## Features

### High Performance Microphone Preamp

- Maximum of 66 dB of gain in eleven steps for accurate, repeatable gain settings.
- Wide dynamic range and audio bandwidth.
- High immunity to RF interference.
- Transformer-balanced input and output using premium Lundahl input transformer and custom-designed output transformer.
- High-current line output driver capable of driving very long cable runs.
- Two-position high pass filter at 80 Hz and 160 Hz.
- Selectable 48-volt or 12-volt phantom, or T-powering.
- Virtually “unclippable” dual-stage opto-isolator peak limiter.

### Flexible Headphone Monitoring

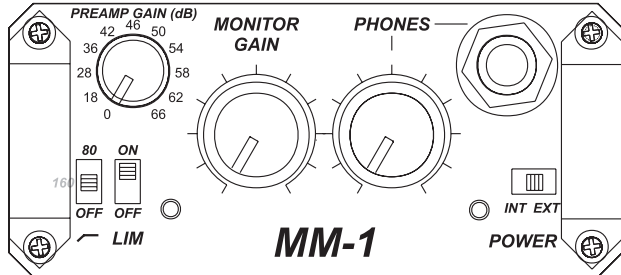
- Monitor preamp audio and line-level monitor audio.
- Front panel headphone connector.
- Front panel headphone level control.
- Separate, front panel monitor level control.

### Durable Mechanical Construction

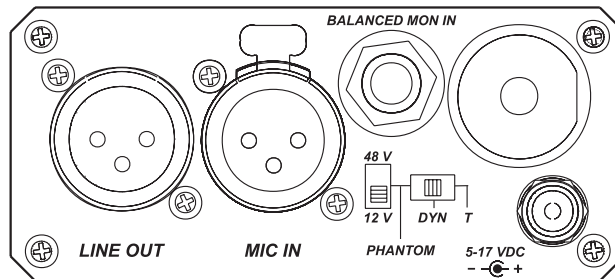
- Easy access battery compartment (2 x AA) with external DC power connector (5 - 17 VDC).
- High-strength extruded aluminum chassis with metal knobs and protective end rails.
- Removable belt clip for easy mounting.

[www.sounddevices.com](http://www.sounddevices.com)

# MM-1 Microphone Preamp with Headphone Monitor

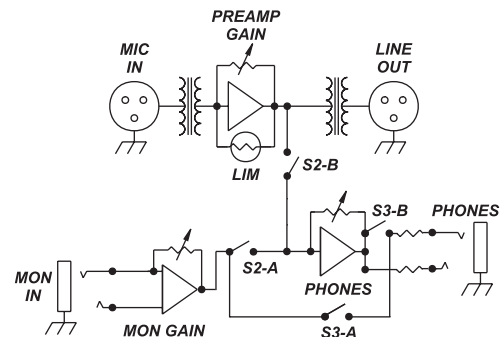


**FRONT PANEL**



**BACK PANEL**

<b>Gain: (Mic - Line)</b>	0 dB to 66 dB input to output, switch selectable
<b>Gain Accuracy (Mic - Line)</b>	+0.6, -0.1 dB with reference to front panel gain markings (150 ohm source, 100 k load impedances)
<b>Frequency Response (Mic - Line)</b>	20 Hz -20 kHz, +0.1, -0.5 dB, -1 dB at 50 kHz (relative to 1 kHz level with 150 ohm source)
<b>Equivalent Input Noise (Mic)</b>	-126 dBu (-128 dBV) maximum (150 ohm source, flat weighting, 22 Hz - 22 kHz bandwidth gain setting 36 dB or greater)
<b>Output Clipping Level (Line)</b>	+22 dBu minimum with 100k ohm load +20 dBu minimum with 600 ohm load
<b>Input Clipping Level (Mic)</b>	+4 dBu minimum at the 0 or +18 dB gain setting
<b>Dynamic Range (Mic to Line)</b>	122 dB minimum at the +18 dB gain setting
<b>THD + Noise</b>	0.05% maximum (from 50 Hz - 22 kHz @ +4 dBu output level, 22 Hz - 22 kHz filter bandwidth, +46 dB gain setting)
<b>Common Mode Rejection Ratio</b>	100 dB minimum at 80 Hz 60 dB minimum at 10 kHz



**BLOCK DIAGRAM**



SOUND DEVICES

Sound Devices, LLC

300 Wengel Drive, P.O. Box 576

Reedsburg, Wisconsin 53959 USA

tel: (608) 524-0625 fax: (608) 524-0655

[www.sounddevices.com](http://www.sounddevices.com)